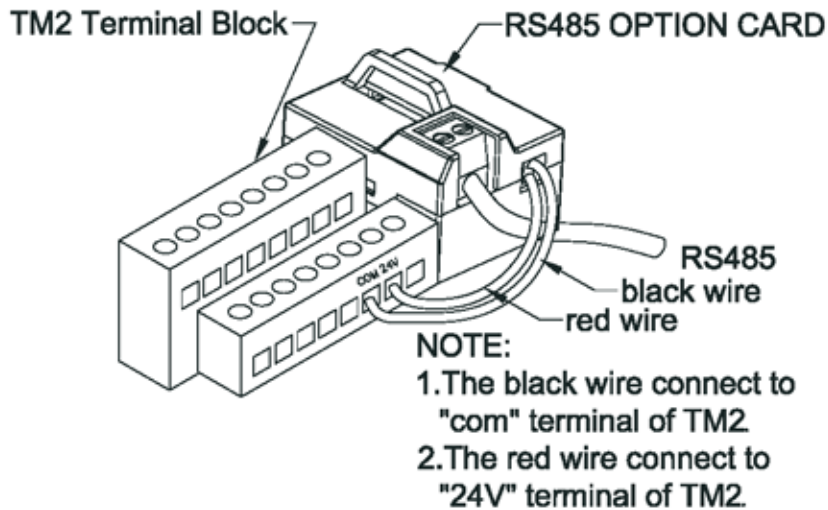
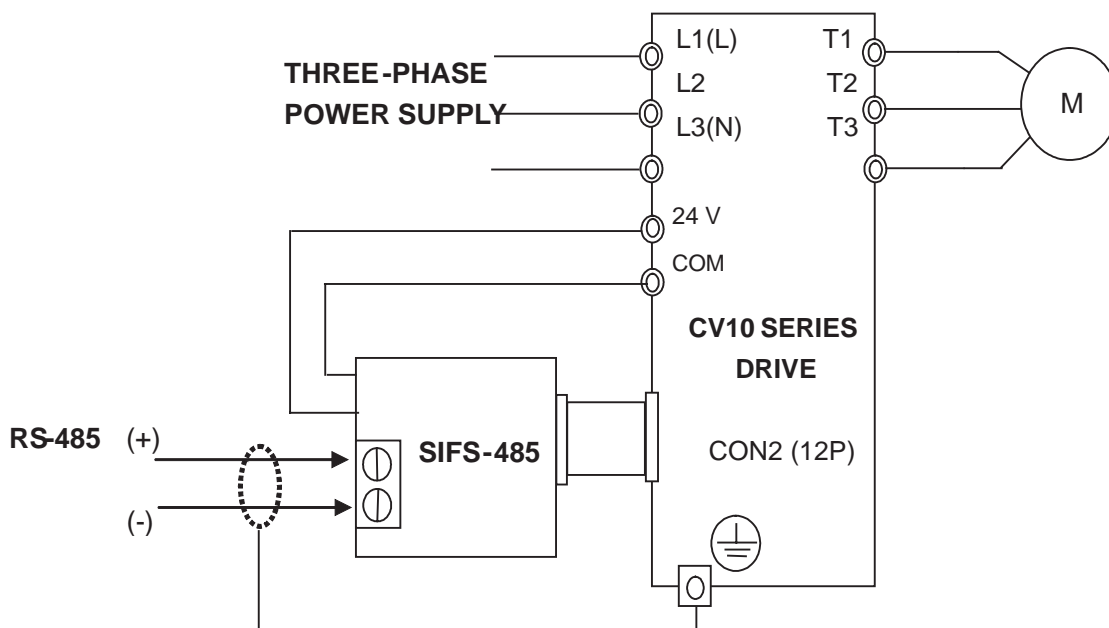


RS-485 Interface Module (Model: SIFS-485)



SIFS-485 Wiring Diagram



*** Note:**

Please put on the cover of drive to avoid the Interface disturbed by outside static electricity.
Please use isolated RS232 / RS485 converter to link PC and interface card to avoid damage equipment.