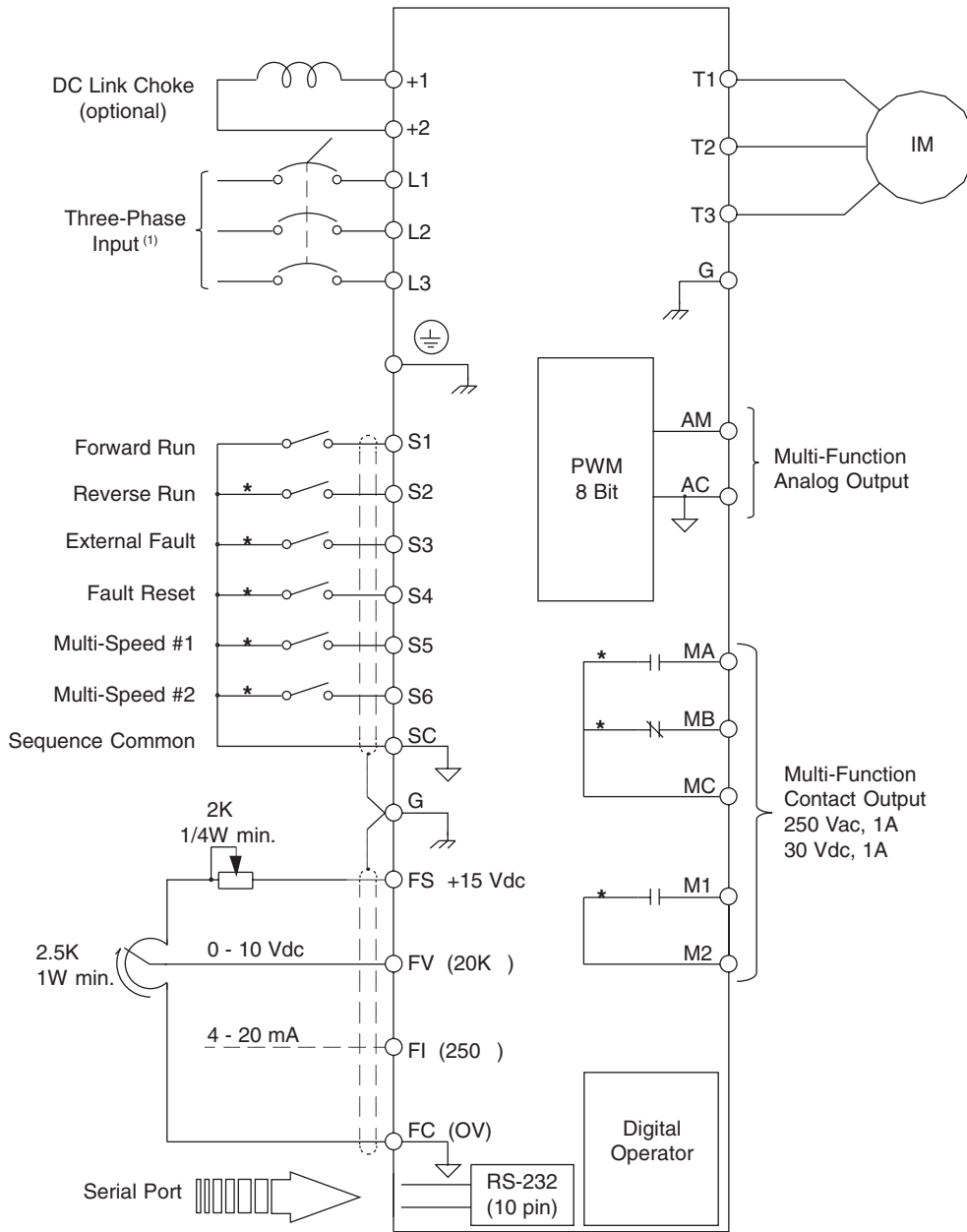


FP5



* Programmable Input/Output Functions

(1) 12 Pulse input and input link reactor are standard on models 2018-2075 and 4022-4160 (30 HP - 200 HP) and optional on 23P7-2015 and 43P7-4015 (0.75 HP - 25 HP).