



www.saftronics.com

AA1081 Inverter / Buffer Systems Card

Saftronics, Inc.

5580 Enterprise Pkwy., Ft. Myers, FL 33905

Telephone: (941) 693-7200

Fax: (941) 693-2431

www.saftronics.com

KIT NO. AA1081

DOC. NO. 027-1081

REV 09/01

SAFETY FIRST !

LETHAL VOLTAGES MAY BE PRESENT!

PLEASE READ THIS INSTRUCTION MANUAL THOROUGHLY BEFORE ATTEMPTING ANY INSTALLATION, OPERATION, MAINTENANCE OR INSPECTION. FAILURE TO FOLLOW THE RECOMMENDED PROCEDURES OR CAUTIONS IN THIS MANUAL COULD RESULT IN INJURY TO PERSONNEL AND/OR DAMAGE TO EQUIPMENT.

CAUTION !

1. CHECK THE NAME WRITTEN ON THE PRODUCTS AND INSURE THAT THE PROPER PART HAS BEEN RECEIVED.
2. THOROUGHLY INSPECT THE PART(S) FOR ANY DAMAGE DUE TO SHIPMENT OR HANDLING.
3. THE PART(S) MAY CONTAIN CMOS CHIPS AND CAN BE DAMAGED BY STATIC ELECTRICITY. HANDLING SHOULD BE IN ACCORDANCE WITH INDUSTRY STANDARDS.
4. BEFORE INSTALLING THE PART(S) TURN OFF ALL POWER TO THE EQUIPMENT AND INSURE THE CHANGE INDICATOR LAMP ON THE INVERTER IS **OFF**. **LETHAL VOLTAGES ARE PRESENT !**
5. DO NOT CONNECT OR DISCONNECT WIRING WHILE POWER IS **ON !**
6. FOLLOW GOOD STANDARD WIRING PRACTICES AND ANY APPLICABLE CODES THAT MAY APPLY.

Description

The **AA1081 INVERTER / BUFFER SYSTEMS CARD** is a stand alone module that is designed to provide analog signal conditioning in a variety of motor control applications. It provides signal buffering, signal Inverting and the ability to sum (2) input signals. It has an offset as well as a gain adjustment.

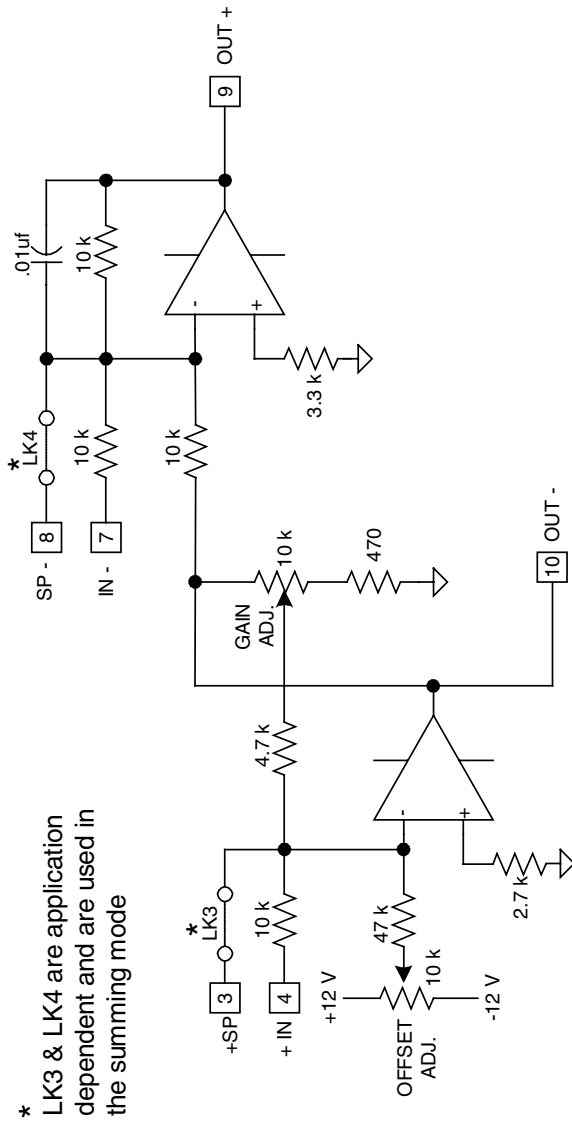
Specifications

Power Requirements	- (+ / -) 12 VDC @ 30 mA (max.)
Maximum Output Voltage	- (+ / -) 10 VDC
Maximum Input Voltage	- (+ / -) 10 VDC
Input Resistance	- 10 k (inverting and non – inverting)
Minimum Load Resistance	- 1 k
Offset Adjustment Range	- (+ / -) 0 – 2.5 V @ G = 1 (factory set for 0 V)
Gain Adjustment Range	- G = 0.5 - 10 (factory set for 1)

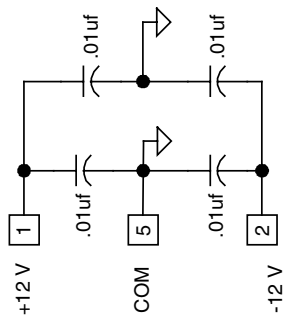
NOTE: See Schematic on page 4

Installation

Before attempting any installation make sure that all power is turned off to the equipment being worked on. The AA1081 card is a stand alone module and can be mounted in a variety of ways. It should be mounted in a protective enclosure which is well ventilated. Four mounting holes are provided as shown in Fig. 1B on page 6 for use with stand-offs. Referring to Fig. 1A on page 5, make all external connections using shielded twisted wire. **All wiring should be in accordance with good standard practices and any codes that may apply.**



* LK3 & LK4 are application dependent and are used in the summing mode



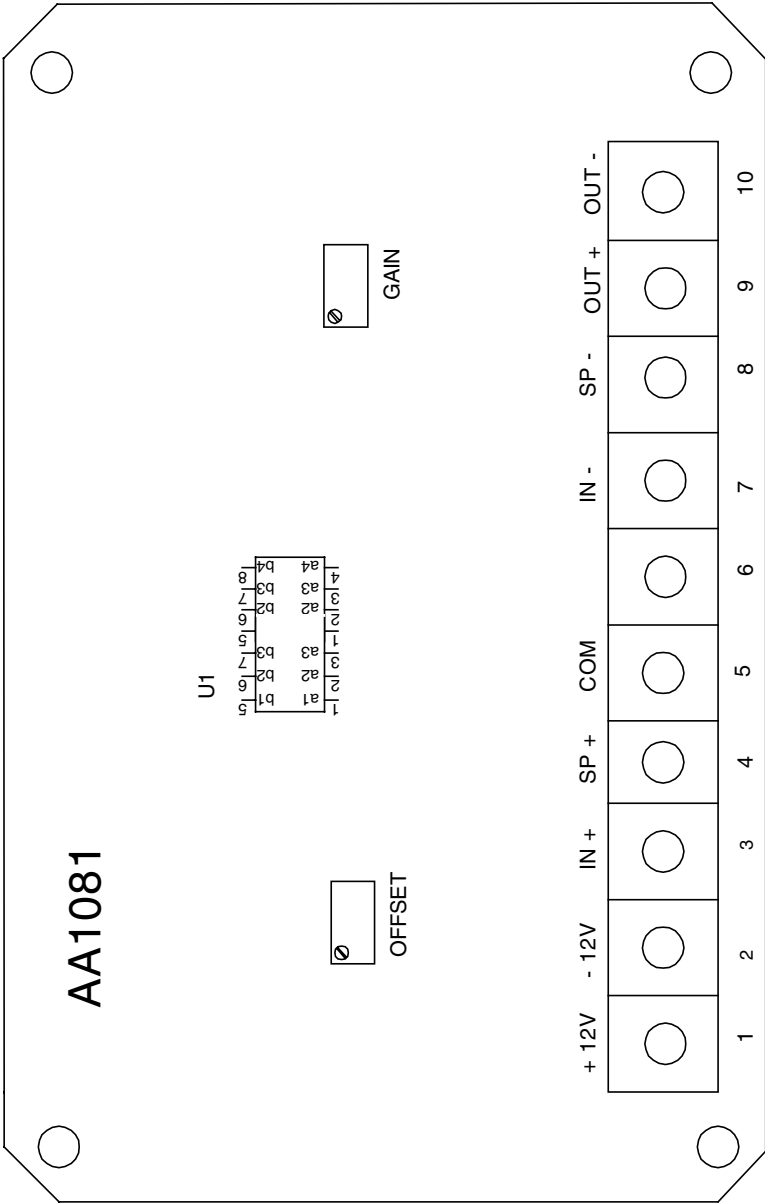


FIGURE 1A - AA 1081 INVERTER / BUFFER SYSTEMS CARD

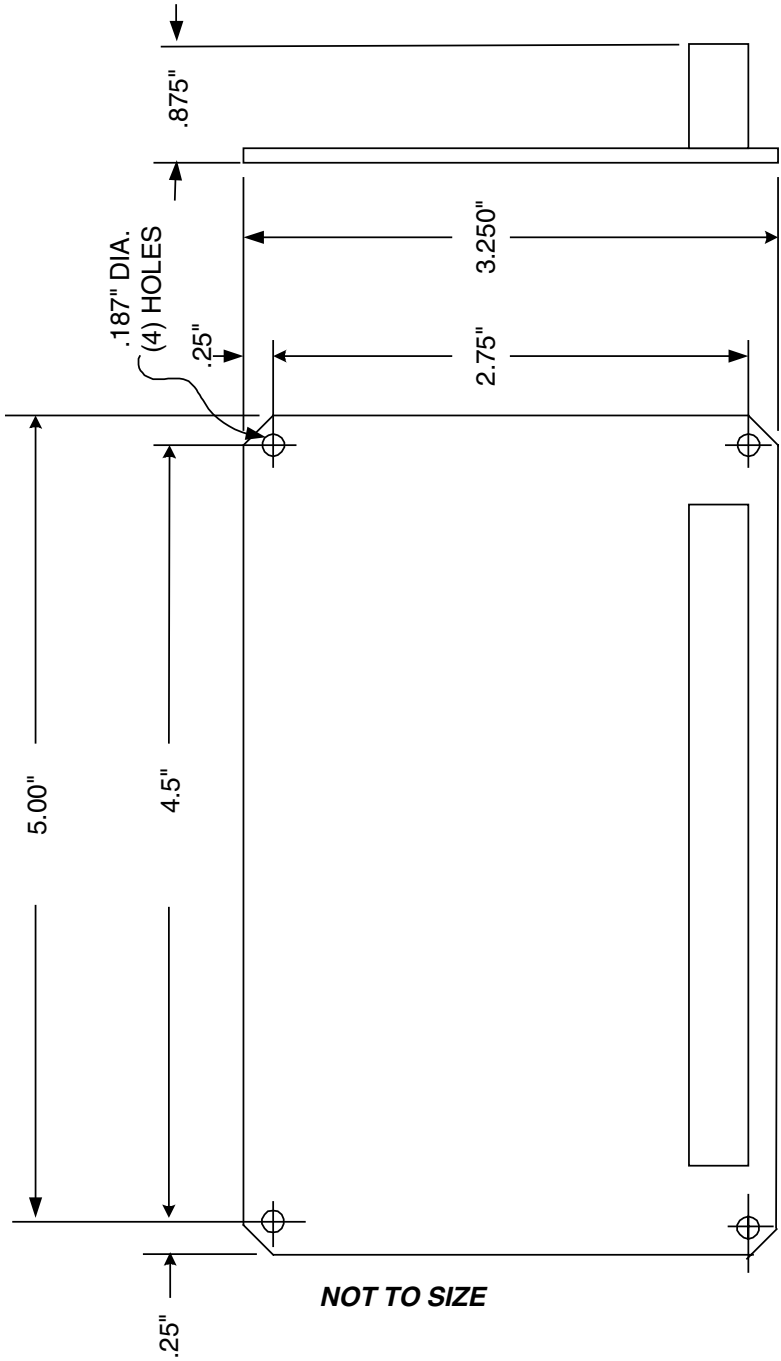


FIGURE 1B - AA 1081 DIMENSIONS

WARNING!

Saftronics manufactures component parts that can be used in a wide variety of industrial applications. The selection and application of *Saftronics* products remains the responsibility of the equipment designer or end user. *Saftronics* accepts no responsibility for how its products may be incorporated into the final design.

Under no circumstances should any *Saftronics* product be incorporated into any product or design as the exclusive or sole safety control. Without exception, all controls should be designed to dynamically fault detect and fail safe under all circumstances. All products designed to incorporate a component part manufactured by *Saftronics*, must be supplied to the end user with appropriate warnings and instructions as to the safe use and operation. Any warnings provided by *Saftronics* must be passed through to the end user.

Saftronics offers an express warranty only as to the quality of its products to conform to the catalog specifications. **NO OTHER WARRANTY, EXPRESS OR IMPLIED, IS OFFERED.** *Saftronics* assumes no liability for any personal injury, property damage, losses or claims, arising out of the mis-application of its products.