



[www.saftronics.com](http://www.saftronics.com)

# PC10 Relay Output Card

**Saftronics, Inc.**

5580 Enterprise Pkwy., Ft. Myers, FL 33905

Telephone: (941) 693-7200

Fax: (941) 693-2431

[www.saftronics.com](http://www.saftronics.com)

CARD NO. 100-0159-01

DOC. NO. 027-0159 11/01

## **SAFETY FIRST !**

### ***LETHAL VOLTAGES MAY BE PRESENT!***

PLEASE READ THIS INSTRUCTION MANUAL THOROUGHLY BEFORE ATTEMPTING ANY INSTALLATION, OPERATION, MAINTENANCE OR INSPECTION. FAILURE TO FOLLOW THE RECOMMENDED PROCEDURES OR CAUTIONS IN THIS MANUAL COULD RESULT IN INJURY TO PERSONNEL AND/OR DAMAGE TO EQUIPMENT.

## **CAUTION !**

1. CHECK THE NAME WRITTEN ON THE PRODUCTS AND INSURE THAT THE PROPER PART HAS BEEN RECEIVED.
2. THOROUGHLY INSPECT THE PART(S) FOR ANY DAMAGE DUE TO SHIPMENT OR HANDLING.
3. THE PART(S) MAY CONTAIN CMOS CHIPS AND CAN BE DAMAGED BY STATIC ELECTRICITY. HANDLING SHOULD BE IN ACCORDANCE WITH INDUSTRY STANDARDS.
4. BEFORE INSTALLING THE PART(S) TURN OFF ALL POWER TO THE EQUIPMENT AND INSURE THE CHANGE INDICATOR LAMP ON THE INVERTER IS **OFF**. ***LETHAL VOLTAGES ARE PRESENT !***
5. DO NOT CONNECT OR DISCONNECT WIRING WHILE POWER IS **ON** !
6. FOLLOW GOOD STANDARD WIRING PRACTICES AND ANY APPLICABLE CODES THAT MAY APPLY.

## **Description**

The **100-0159-01 RELAY OUTPUT CARD**, provides (2) relay form C outputs for the PC10 Inverter. It has “hard pins” to assemble directly to the PC10’s control terminals and screw type output terminals.

## **Specifications**

Output relays - Form C contacts: 120 VAC @ 0.5A / 24 VDC @ 1.0A

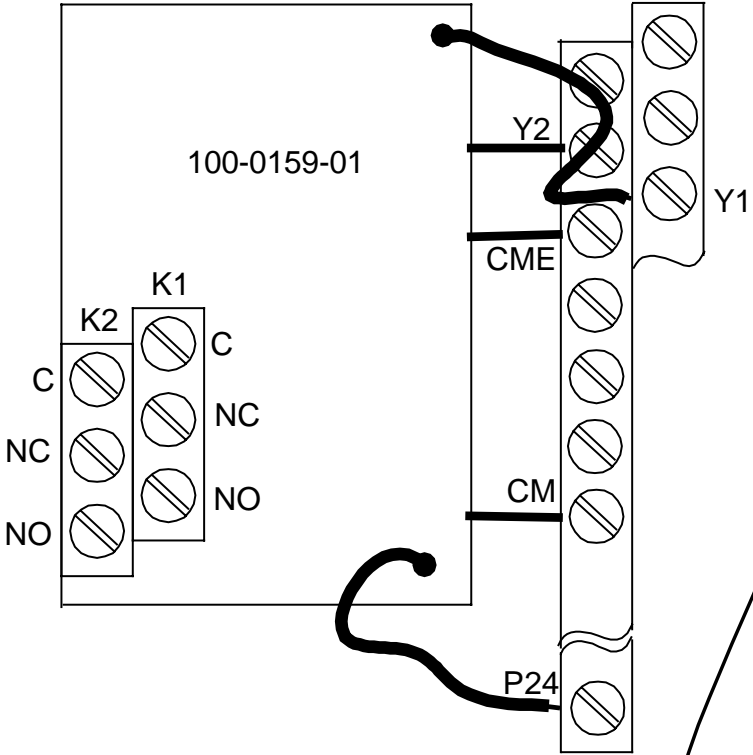
## **Installation**

**Turn off all power to the equipment being worked on before attempting any installation.** Referring to the figure on page 5 and in accordance with the PC10 instruction manual, remove the protective cover. Insert the “hard pins” into terminals **Y2**, **CME**, and **CM** of the PC10’s control terminals and tighten. Connect the pig-tail leads to terminals **Y1** and **P24** and replace the cover. This completes the installation.

After applying power, parameters E20 for (K1) and E21 for (K2) are to be programmed in accordance with the table on page 4. Refer to the PC10 manual for further details.

SETTING	DIGITAL OUTPUT SIGNAL
0	Drive Running (RUN)
1	Frequency Arrival (FAR)
2	Frequency Level Detection (FDT)
3	Undervoltage Detection Signal (LV)
4	Torque Polarity (B/D)
5	Torque Limiting (TL)
6	Restart after momentary Power Failure (IPF)
7	Overload Early Warning (OL)
8	Life Time Alarm (LIFE)
9	Frequency Level Detection 2 (FAR2)

# PC10 INVERTER



PC10 RELAY INTERFACE

## **WARNING!**

*Saftronics* manufactures component parts that can be used in a wide variety of industrial applications. The selection and application of *Saftronics* products remains the responsibility of the equipment designer or end user. *Saftronics* accepts no responsibility for how its products may be incorporated into the final design.

Under no circumstances should any *Saftronics* product be incorporated into any product or design as the exclusive or sole safety control. Without exception, all controls should be designed to dynamically fault detect and fail safe under all circumstances. All products designed to incorporate a component part manufactured by *Saftronics*, must be supplied to the end user with appropriate warnings and instructions as to the safe use and operation. Any warnings provided by *Saftronics* must be passed through to the end user.

*Saftronics* offers an express warranty only as to the quality of its products to conform to the catalog specifications. NO OTHER WARRANTY, EXPRESS OR IMPLIED, IS OFFERED. *Saftronics* assumes no liability for any personal injury, property damage, losses or claims, arising out of the mis-application of its products.