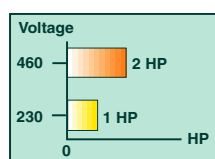


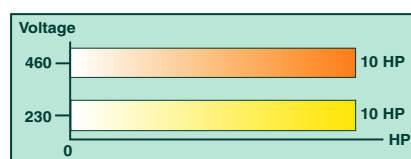
# PC7

## Mini Vector AC Drive

- Now Available to 10 HP
- Now Available in NEMA 4 (limited HP range)
- Sensorless (Open Loop) Vector
- Heavy Duty Overload (150% OL / 1 min.)
- PID Function
- High Peak Current Trip Level (250%)
- RS-485 Serial Communications
- Cover-Mounted Speed Pot
- 7-Programmable Digital Inputs
- 1-Programmable Analog / Pulse Output
- 3-Programmable Digital Outputs
- Pulse-Train Reference Capability
- Over 200 Parameters
- Triple Marked (UL, cUL, CE)
- Saflink Compatible
- Built-In Dynamic Braking



PC7 NEMA 4

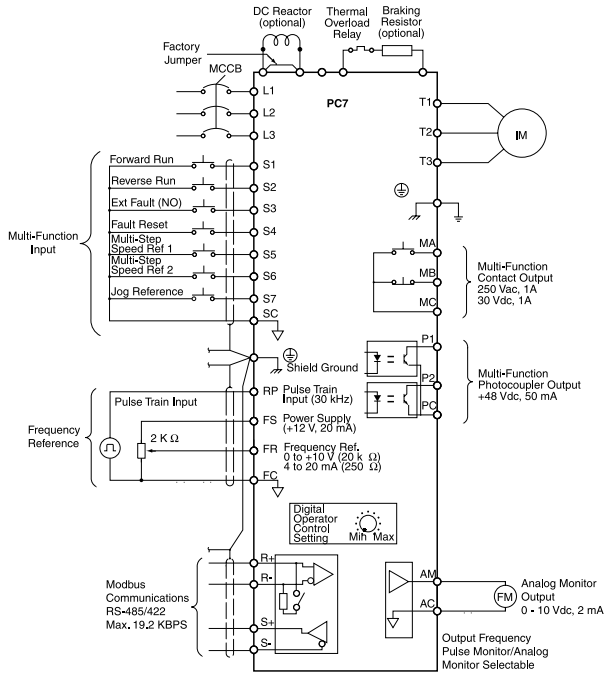


PC7 NEMA 1



# PC7: The NEW "Power Cube"

## TERMINAL LAYOUT



How do you choose between the various micro-inverters available today? Performance, connectivity, size, cost of ownership all factor into the buying decision. We believe the PC7 offers the best combination of the above. World class quality in design and manufacture, competitive pricing and uncompromising performance make the PC7 the low HP drive of the future.

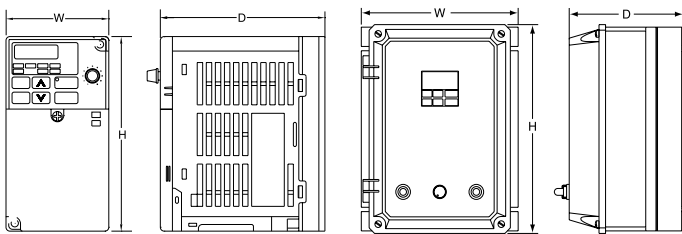
The PC7 can be operated in either sensorless vector or V/Hz mode to allow you to match the application requirements. Our sensorless vector control affords superior torque and speed regulation characteristics. For pure simplicity or for multi-motor applications, you can always program the PC7 for V/Hz.

Many users and OEMs have already recognized the benefits of serial communications with motor controllers. The lower cost of engineering and installation combined with enhanced flexibility make this an attractive low cost alternative to control wiring. Many products offer serial communications only as an option. The PC7 comes with RS-485 capability right out of the box. No need to worry about special connectors or cables because the wiring is done directly on the control terminal strip.

The PC7 offers many sophisticated functions not normally available in other micro-inverters. For example, the keypad can be used as a "copy unit" to conveniently download parameters into multiple drives. It uses Flash ROM to support custom software via an RS-232 port. The keypad can be remote wired with a simple telephone cable. The cooling fan can be set to run only during inverter operation to maximize MTBF. These are but a few examples that differentiate the PC7.

Why take a chance on the cheapest micro-inverter when you can go with a trusted name like Safronics! You can rest assured our 24/7 staff will always be there to give you the highest quality support in the business.

## DIMENSIONS



VOLT	HP	AMPS	NEMA 1				NEMA 4						
			PART NUMBER PC7-	DIMENSIONS (in inches)			WEIGHT (lbs)	PARTNUMBER PC7-		DIMENSIONS (in inches)		WEIGHT (lbs)	
				H	W	D		Keypad w/ Knobs	Keypad w/o Knobs	H	W		D*
230 Vac	0.13	0.8	20P11	5.8	2.7	3.0	1.6	20P14	20P14B	9.74	7.5	5.48	6.8
	0.25	1.6	20P21				20P24	20P24B					
	0.5 / 0.75	3	20P41	5.8	2.7	4.2	2.2	20P44	20P44B				7.5
	1	5	20P71	5.8	2.7	5.0	2.7	20P74	20P74B				7.9
	2	8	21P51	5.8	4.2	5.2	3.5						N / A
	3	11	22P21	5.8	4.2	5.5	3.8						N / A
	5	17.5	23P71	5.8	5.5	6.0	5.3						N / A
	7.5	25	25P51	10.3	7.1	6.7	10.2						N / A
460 Vac	10	33	27P51	10.3	7.1	6.7	10.6						N / A
	0.5	1.2	40P21	5.8	4.2	3.6	2.7	40P24	40P24B	9.74	7.5	5.48	7.7
	0.75 / 1	1.8	40P41	5.8	4.2	4.4	2.7	40P44	40P44B				7.9
	1.5 / 2	3.4	40P71	5.8	4.2	5.5	3.8	40P74	40P74B				8.8
	3	4.8	41P51	5.8	4.2	6.2	3.8						N / A
	3	5.5	42P21	5.8	4.2	6.2	3.8						N / A
	5	9.2	43P71	5.8	5.5	5.6	5.3						N / A
	7.5	14.8	45P51	10.3	7.1	6.7	10.6						N / A
10	18	47P51	10.3	7.1	6.7	10.6						N / A	

\*If speed pot is provided, add .71" to depth.

## SPECIFICATIONS

ITEM	RATINGS
Control Method	Sensorless (Open Loop) Vector or V/Hz
Input Voltage Rating	200/230 Vac; 380/460 Vac; 50/60 Hz; 3-phase; 1-phase available with 30% derate
Input Voltage Tolerance	+10%, -15%
Frequency Control Range	0.1 to 400 Hz
Frequency Accuracy	Digital: ± 0.01% (-10 to +50°C) Analog: ± 0.5% (25 ± 10°C)
Speed Commands	0 - 10 Vdc, 4 - 20 mA, pulse reference, serial communications, cover-mounted speed pot
Overload Capacity	150% for 1 minute: 250% instantaneous
Braking	DC Injection or Dynamic (Transistor is built-in)
Protective Functions	Motor Overload, Peak Overcurrent, Inverter Overload, Ground Fault, Over Temperature, Fan Loss, Stall (Trip) Prevention
Programmable I/O	7 Digital Inputs; 3 Digital Outputs; Pulse Train or Analog Output
Serial Communications	RS-485, Modbus, 19.2 kBPS, terminal strip wiring