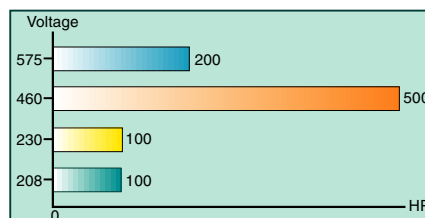


VG5

Vector-Control AC Drive

- **4-Control Modes**
 - Flux Vector
 - Open Loop
 - Volts/Hz
 - Volts/Hz with Encoder
- **Heavy Duty Overload (150% / 1 minute)**
- **CASE Software**
- **Rapidpak Compatible**
- **Saflink Compatible**
- **Full Range of Serial Control Options**
- **Triple Marked (UL, cUL, CE)***
- **Systems Integrator Drive**
- **Optional Software**
 - Center Winder
 - High Frequency
 - Electronic Lineshaft
 - Textile Winder
 - Indexing



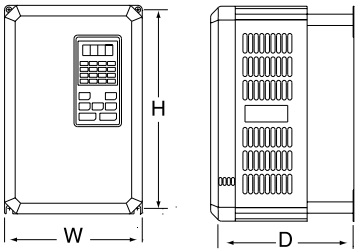
*Rating Dependent



VG5: One Source... Many Powerful Solutions

RATINGS / DIMENSIONS

VOLT	HP	AMPS	MODEL VG5-	PART NUMBER	STYLE	DIMENSIONS (in inches)			WEIGHT (lbs)	VOLT	HP	AMPS	MODEL VG5-	PART NUMBER	STYLE	DIMENSIONS (in inches)			WEIGHT (lbs)
						W	H	D								W	H	D	
230 V	0.75	3.2	20P4	E8001-01V	NEMA 1	5.5	11	6.3	6.5	460 V	0.75	1.9	40P4	E8001-22V	NEMA 1	5.6	11	6.3	6.5
	1 / 1.5	6	20P7	E8001-02V							1 / 2	3.6	40P7	E8001-23V					
	2	8	21P5	E8001-03V							3	5.1	41P5	E8001-24V					
	3	11	22P2	E8001-04V		3	6.6	42P2	E8001-25V										
	5	17.5	23P7	E8001-05V		5	8.5	43P7	E8001-26V										
	7.5	25	25P5	E8001-06V		7.5	11.7	44P0	E8001-51V										
	10	33	27P5	E8001-07V		10	14.8	45P5	E8001-27V										
	15	49	2011	E8001-08V		15	21	47P5	E8001-28V										
	20	64	2015	E8001-09V		20	28.6	4011	E8001-29V										
	25 / 30	80	2018	E8001-10V		25	34	4015	E8001-30V										
	30	96	2022	E8001-11V		30	41	4018	E8001-31V										
	40 / 50	130	2030	E8001-12V E8001-13V		NEMA 1 CHASSIS	16.9	38.8	13.8		148 134								
	60	160	2037	E8001-14V E8001-15V		NEMA 1 CHASSIS	16.7	26.6	11.2		71								
	60	183	2045	E8001-16V E8001-17V		NEMA 1 CHASSIS	18.9	43.7	13.8		192 176								
	75	224	2055	E8001-18V E8001-19V		NEMA 1 CHASSIS	18.7	31.5	13.8		150 137								
	100	300	2075	E8001-20V E8001-21V		NEMA 1 CHASSIS	22.8	50.8	15.8		320 298								
					22.6	36.4	15.8	298							18.1	44.5	13.8	187 174	
															17.9	32.3	13.8	176	
															22.8	50.8	14.8	320 298	
															22.6	36.4	14.8	342 320	
															37.4	57.1	17.1	794	
															37.8	63	17.9	926	



*Consult Factory for 208 V and 575 V information
Specifications subject to change without notice.

The VG5 is our flagship inverter product. It has proven itself as a world leader in AC drive technology. Its four distinct control modes make it a perfect fit for any AC drive application. We have recently expanded the product family to include a 575 Vac design.

The power section was designed to allow an overload rating of 150% for 1 minute. The competition calls this "heavy duty", we prefer to think of it as industrial strength. Don't be fooled, when you are buying an industrial drive you need a rugged power section with high overload capacity. The VG5 should be the drive of choice for all of your tough applications.

The VG5 supports many popular serial communication networks. Its extended parameter set makes it ready for most any application-right out of the box! This combination of features is ideal for the systems integrator customers, who need rugged performance with sophisticated control.

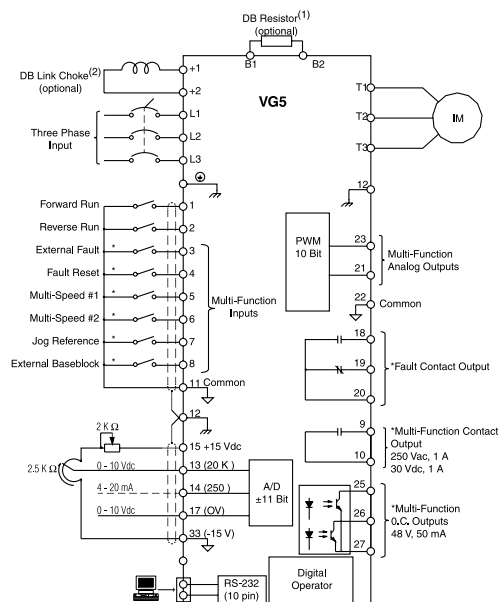
The control card is now more powerful and gives us the ability to write more sophisticated Custom Application Specific Software (CASE). Software is already available for center winder control, electronic line shaft, high speed and indexing applications, to name a few. Contact our applications engineering department or visit our website for more details.

Like all of our products, the VG5 is backed by our world class, 24/7 technical support. A technician is only a phone call away. We even offer bi-lingual customer and technical support for our Spanish speaking customers.

SPECIFICATIONS

ITEM	RATINGS
Rated Frequency	3-phase, 380 to 460 V, 50/60 Hz
Voltage Fluctuation	+10%, -15%
Frequency Fluctuation	±5%
Control Method	Sine wave PWM
Starting Torque	150% below 1 Hz (150% at 0 RPM with PG)
Speed Control Accuracy	±0.2% (±0.02% with PG)
Torque Accuracy	±5%
Frequency control Range	0.1 to 400 Hz
Accel/Decel Time	0.1 to 3600.0 seconds (Accel/Decel time setting independently: 0.1sec)
Braking Torque	Approximately 20% standard (100% optional)
Fuse Protection	Motor coast to a stop at blown fuse
Overload	Motor coasts to a stop after 1 minute at 150% of rated output current
Ground Fault	Provided by electronic circuit
Power Charge Indication	Charge LED stays on until voltage drops below 50 Vdc
Location	Indoor (protected from corrosive gases and dust)
Ambient Temperature	+14 to 104°F (-10 to 40°C) for NEMA-1 not frozen, 14 to 113°F (-10 to 45°C) for open chassis
Storage Temperature	-4 to 140°F (-20 to 60°C)

TERMINAL LAYOUT



* Programmable Input/Output Functions. Factory details shown.
(1) Internal dynamic braking electronics on 0.5 HP - 10 HP (230V), 1.0 HP to 25 HP (460V), and 2.0 to 25 HP (575V) models only.
External DB electronics option required for higher horsepower models.
(2) Input DC link resistor is standard on 30 HP to 750 HP (460V) models, and optional for models under 30 HP.