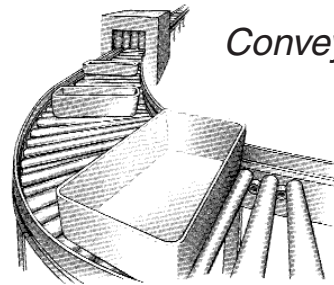


S10 AC Drive

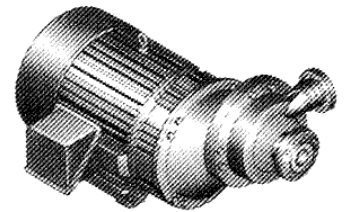
DRIVES FOR EVERY INDUSTRY

TWO YEAR WARRANTY

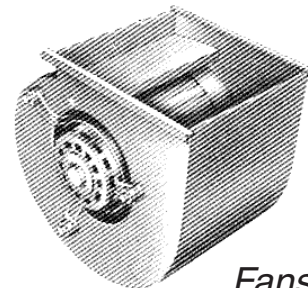
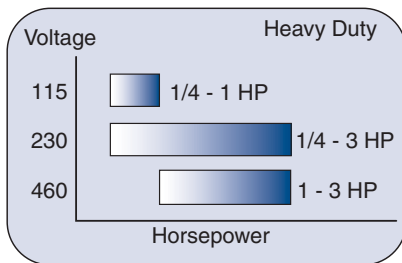
- V/Hz PWM Control
- Heavy Duty Rated (150% O/L for 1 min)
- No Derate for Single Phase Input
- 16 kHz Carrier Frequency
- Enclosure
 - IP20 (Protected Chassis)
 - IP65 (Nema 4X with Speed Pot)
- DIN Rail Mounting (Option)
- 50°C (122°F) Ambient Rating
- Programmable I/O
- Analog Input
 - (0 to 10 VDC / 4 to 20 mA / 0 to 20 mA)
- Maximum Frequency 200 Hz
- Adjustable Torque Boost
- DC Injection Braking
- DB Braking on selected units
- Alarm History
 - Stores last 3 alarms
 - (Motor Overload / Overheat / Overcurrent)



Conveyors



Pumps



Fans



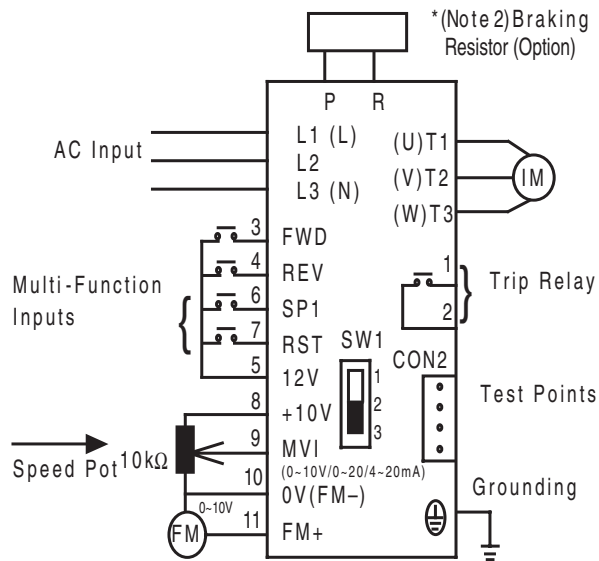
Saflink not available for this product

SAFTRONICS
www.saftronics.com

5580 Enterprise Parkway
Fort Myers, FL 33905
Phone (239) 693-7200
Fax (239) 693-2431
www.saftronics.com

S10: Simple By Design

TERMINAL LAYOUT



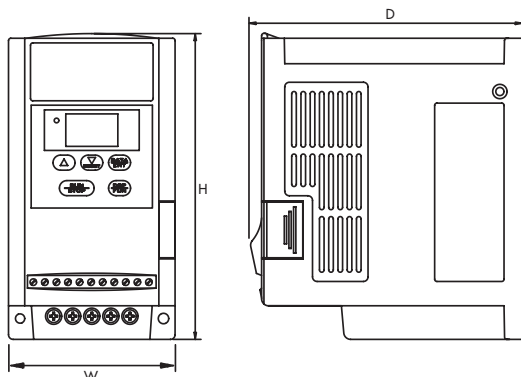
The S10 product line was designed to supply the Micro AC drive market from 1/4 to 3 HP 115V, 230V, and 460V single or three phase input with a low-cost highly reliable product for applications such as fans, blowers, and conveyors. The drive is designed using field proven PWM technology, and a powerful software platform allowing for flexibility while maintaining user-friendly programming.

The S10 standard features include a full set of motor and drive diagnostics, programmable I/O, momentary power ride through, DC injection braking, 3 event fault log, and 6 selectable V/Hz curves. The S10 has two types of enclosures, IP20 (protected chassis) and IP65 (NEMA4X) with and without operators to match any of your application environmental needs. An optional DIN rail mounting kit is also available.

The S10 was designed to meet world class standards for CE, cUL, and UL, incorporating the ability to add a built-in EMI filter for industrial CE applications.

DIMENSIONS

VOLT	HP	AMPS	PART NUMBER S10	DIMENSIONS (in inches)			WEIGHT (lbs)
				H	W	D	
115V	1/4	1.4	S101F25-91	5.2	2.8	4.6	2.3
	1/2	2.3	S101F50-91	5.2	2.8	4.6	2.3
	1	C/F	S101001-91	5.2	2.8	4.6	2.3
230V	1/4	1.4	S102F25-91	5.2	2.8	4.6	1.70
	1/2	2.3	S102F50-91	5.2	2.8	4.6	1.72
	1	4.2	S102001-91	5.2	2.8	4.6	1.81
	2	7.5	S102002-9	5.6	4.6	6.8	4.30
	3	10.5	S102003-9	5.6	4.6	6.8	4.52
460V	1	2.3	S104001-9	8.5	5.5	6.7	3.04
	2	3.8	S104002-9	8.5	5.5	6.7	3.09
	3	5.2	S104003-9	8.5	5.5	6.7	3.22



P/N: 027-3030
Rev: 12-2004

SPECIFICATIONS

Control Method	V/Hz
Input Voltage Rating	115/230 VAC single phase; 230/460 Vac 3-phase
Input Voltage Tolerance	+10%, -15%
Frequency Control Range	0 to 200 Hz
Frequency Accuracy	Digital: ±0.1 Hz Analog: 1 Hz / 60 Hz
Speed Commands	0-10 Vdc, 4-20 mA, 0 to 20 mA
Overload Capacity	150% for 1 minute; 200% instantaneous
Braking	Ramp to Stop / DC Injection / Coast to Stop / DB Braking on selected units
Protective Functions	Motor Overload, Peak Overcurrent, Inverter Overload, Ground Fault, Over Temperature, Stall (Trip) Prevention
Programmable I/O	1 Digital Input 1 NO Contact Output
Ambient Temperature	-10°C to +50°C (14°F to 122°F) (non-freezing)
Enclosures	IP20 Protected Chassis / IP65 (NEMA 4X)

24/7
Emergency
Support

Call 800 533-0031