

Model	Fig.	*Enc	Horsepower					Amps					Input Voltage			Phase		Dimensions (Inches)				
			0.25	0.5	1.0	2.0	3.0	1.4	2.3	4.2	7.5	10.5	115	230	460	1Ø	3Ø	H	W	D	A	B
S101F25-91	1	OP	x					x					x			x		5.20	2.83	4.65	2.40	4.57
S101F50-91	1	OP		x					x				x			x						
S101001-91	1	OP			x								x			x						
S101F25-41	3	N 4X	x					x					x			x		8.46	5.51	7.19	4.86	7.83
S101F50-41	3	N 4X		x					x				x			x						
S101001-41	3	N 4X			x								x			x						
S102F25-91(F)	1	OP	x					x						x		x		5.20	2.83	4.65	2.40	4.57
S102F50-91(F)	1	OP		x					x					x		x						
S102001-91(F)	1	OP			x									x		x						
S102002-9(F)	2	OP				x				x				x		x	x	5.63	4.64	6.86	4.25	5.02
S102003-9(F)	2	OP					x				x			x		x	x					
S102F25-41F(S)	3	N 4X	x					x						x		x		8.49	5.51	7.19	4.86	7.83
S102F50-41F(S)	3	N 4X		x					x					x		x						
S102001-41F(S)	3	N 4X			x									x		x						
S102002-4F(S)	4	N 4X				x				x				x		x		11.61	9.13	8.32	8.27	10.81
S102003-4F(S)	4	N 4X					x				x			x		x						
S104001-9(F)	2	OP			x				x						x	x	x	5.63	4.64	6.86	4.25	5.02
S104002-9(F)	2	OP				x				3.8					x	x	x					
S104003-9(F)	2	OP					x			5.2					x	x	x					
S104001-4F(S)	4	N 4X			x				x						x	x	x	11.61	9.13	8.32	8.27	10.81
S104002-4F(S)	4	N 4X				x				3.8					x	x	x					
S104003-4F(S)	4	N 4X					x			5.2					x	x	x					

\* OP - Open Protected Chassis  
N 4X - Nema 4X (Indoor duty)



FIG. 1



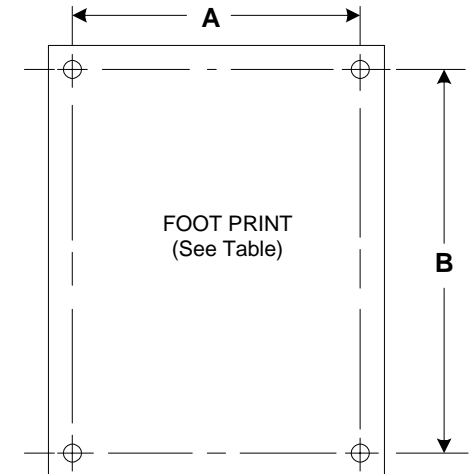
FIG. 2



FIG. 3



FIG. 4



## S10 RATINGS and DIMENSIONS