

dcM6/M12+

Digital DC Drives

- Non-Regenerative Model (dcM6+)
- Regenerative Model (dcM12+)
- Heavy Duty Overload (150% / 1 Minute)
- Microprocessor-Based DC Drives
- Available to 2000 HP
- Compact Footprint
- Serial Communication (RS-485 Modbus)
- Programmable I/O
- CE Marked / UL Pending
- Two Stage Current Limit
- Encoder Feedback + PG Loss Protection
- Built-In Field Regulator with Field Loss Protection
- Field Economy and Forcing are Standard
- Phase Rotation Insensitive
- Saflink Compatible
- English Keypad, Remote-Mountable

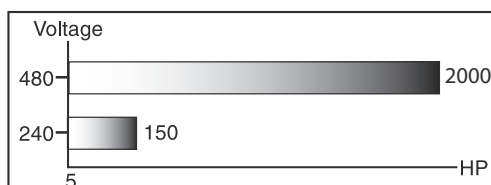


SAFLINK



SPECIFICATIONS

Item	Description
Speed Range	25:1 Armature 50:1 DC Tach 100:1 Encoder Feedback
Speed Accuracy	Armature 2% DC Tach (5PY) 1% Encoder 0.01%
Overload Capacity	150% rated output current for 1 minute
Voltage Fluctuation	+10%, -15%
Frequency Fluctuation	±15%
Analog Speed Setting	0.025% Resolution
Digital Inputs	6 Programmable 2 Fixed (Start / Enable)
Analog Inputs	3 Programmable (±10 Vdc) 1 (±10 Vdc or 4-20 mA) 1 Fixed (±10 Vdc / 4-20 mA)
Analog Outputs	2 Programmable (±10 Vdc or 4-20 mA) 2 Fixed (Armature Volts (Speed) / Armature Current ±10 Vdc)
Digital Outputs	5 Programmable Form "A" Contacts



The NEW Standard in "SYSTEMS" Drives

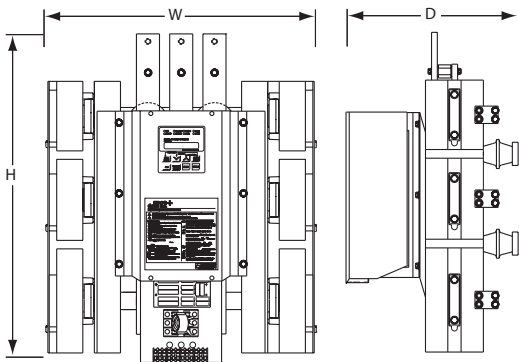
RATINGS

dcM12 ⁺ DIGITAL REGEN 240 VOLT							dcM6 ⁺ DIGITAL NON-REGEN 240 VOLT																		
HP	AMPS	Part Number (M12)	Fig.	Dimensions (in inches)			Weight (lbs.)	HP	AMPS	Part Number (M06)	Fig.	Dimensions (in inches)			Weight (lbs.)										
				H	W	D						H	W	D											
5	20	2005	1	17.6	8.6	9.8	30	5	20	2005	1	17.6	8.6	9.8	30										
7.5	29	27P5																							
10	38	2010																							
15	55	2015																							
20	72	2020																							
25	89	2025																							
30	106	2030																							
40	140	2040																							
50	175	2050																							
60	212	2060																							
75	255	2075	2	26.5	22.5	15	275	75	255	2075	2	26.5	22.5	15	275										
100	341	2100																							
125	425	2125																							
150	506	2150																							
dcM12 ⁺ DIGITAL REGEN 480 VOLT								dcM6 ⁺ DIGITAL NON-REGEN 480 VOLT																	
7.5	14	47P5						1	17.6	8.6						9.8	30	7.5	14	47P5	1	17.6	8.6	9.8	30
10	18	4010																							
15	27	4015																							
20	34	4020																							
25	43	4025																							
30	51	4030																							
40	68	4040																							
50	84	4050																							
60	99	4060																							
75	123	4075																							
100	164	4100	2	26.5	22.5	15	275	100	164	4100	2	26.5	22.5	15	275										
125	205	4125																							
150	246	4150																							
200	330	4200																							
250	405	4250																							
300	477	4300																							
400	633	4400																							
500	793	4500																							
600	950	4600																							
700	1100	4700																							
800	1262	4800	2	29	25.8	16.5	250	800	1262	4800	2	29	25.8	16.5	250										
900 HP and Higher	Consult Factory							900 HP and Higher	Consult Factory																

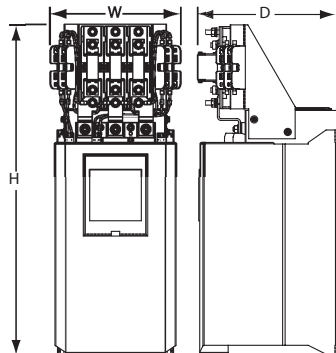
For Chassis dimensions without Fuse Kit subtract 5.6" from height and 0.5" from width.

- NOTES: (1) For Panel, Nema 12 and higher HP information, please contact us.
 (2) Weights are approximate (depending on options), shipping weight may be higher.

CHASSIS > 350
(FIG. 2)



Chassis with Fuse Kit
(FIG. 1)



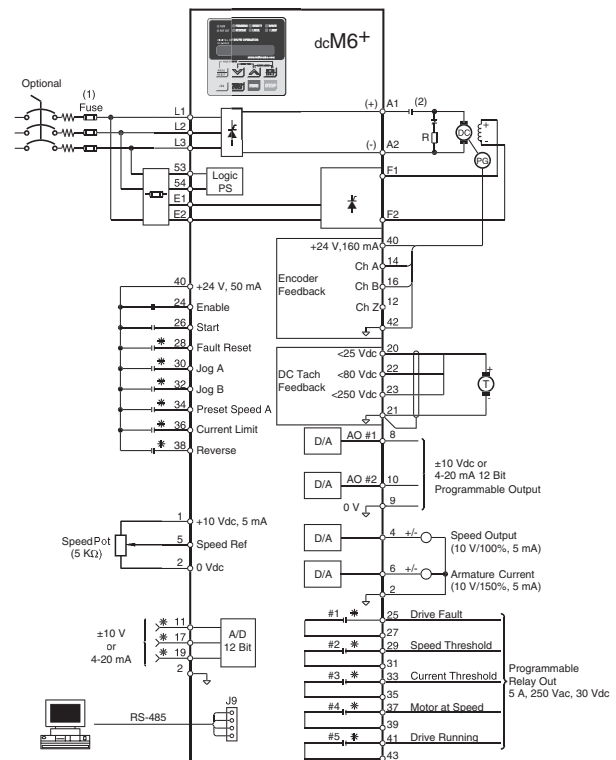
The dcM6⁺ & dcM12⁺ DC Drives are the *state-of-the-art* successors to our popular "M" family of DC Drives. We have redesigned the packaging and upgraded the control section to produce a world-class, "system" type DC Drive.

From simple retrofit applications to complex systems, our dcM⁺ series product family is ready and capable. Our system integration customers requested advanced features like a built-in field regulator, digital encoder feedback, and serial communications capability. Our distributors requested shorter lead times and an English language keypad for easier programming. The dcM⁺ series has it all.

The dcM6⁺ & dcM12⁺ products are available through 3000A. Our new compact packaging (350 A and below) allows multiple configurations to fit your specific needs. For the panel builder, we offer the chassis configuration. If you prefer, you can order a panel with the chassis mounted on a compact panel, complete with optional circuit breaker, blower motor starter, etc.. This factory wired and tested kit is ready to add to your enclosure for a quick, reliable drive solution. You can also order a complete drive package with the kit mounted in a compact, ventilated NEMA 12 package. Our large chassis inventory combined with our RAPIDPAK program ensures quick delivery of any popular configuration.

The dcM6⁺ & dcM12⁺ products are backed by our world class, 24/7 tech support. A technician is only a phone call away. We even offer bilingual customer service and tech support for our Spanish speaking customers. Visit our website for the latest offerings from **Saftronics**.

TERMINAL LAYOUT



- * Programmable I/O. Factory default shown.
 (1) Input Fuses provided on ≥ 350 A.
 (2) DB Contactors standard on Rapidpak up to 100 HP (240Vac), 200 HP (480 Vac).
 See options for chassis, Panel and NEMA 12 units.

5580 Enterprise Parkway
 Fort Myers, Florida 33905
 Phone: (239) 693-7200
 Fax: (239) 693-2431