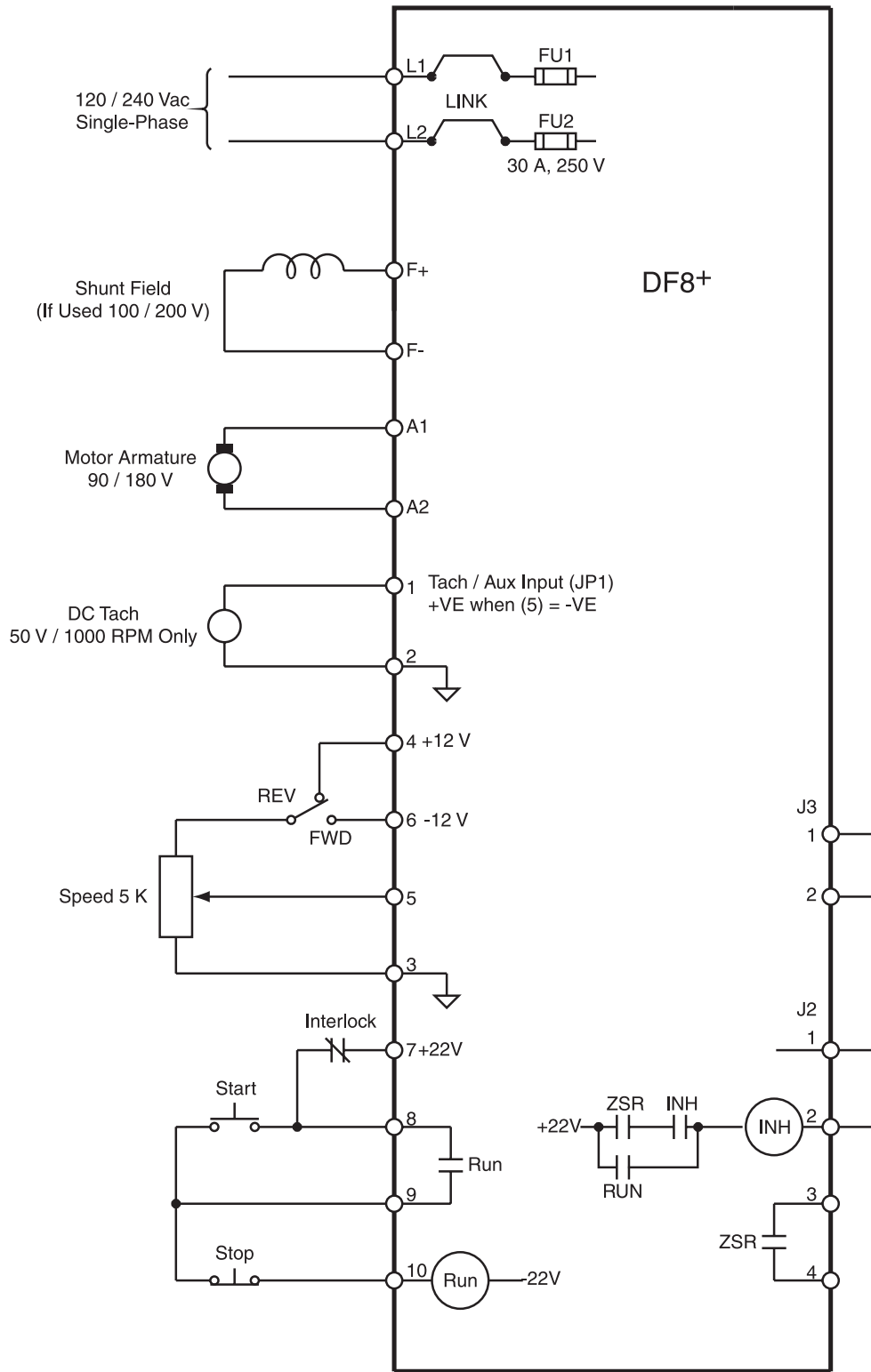


DG2+ / DF8+ Drive Specifications

Wiring Diagram



DG2+ / DF8+