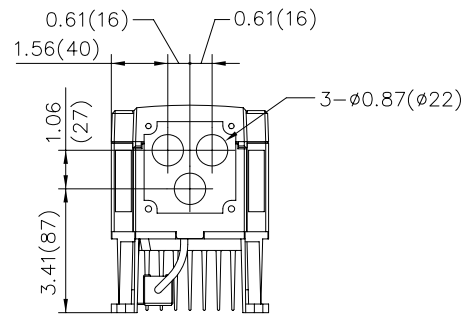


CONTROL TERMINALS  
(M3)  
POWER TERMINALS  
(M3, 5)

NEMA 1 & 4



REVISIONS

SPECIAL DRAWING NOTES:

ENG		
DRAWN	BF	1 APR 01
APP'D		

THE INFORMATION, DATA, AND DESIGNS CONTAINED ON THIS DRAWING ARE CONSIDERED PROPRIETARY INFORMATION OF SAFTRONICS, INC. DISCLOSURE, PUBLISHING, AND USE WITHOUT THE EXPRESS WRITTEN CONSENT OF SAFTRONICS, INC. IS PROHIBITED.



GP10,1HP,VT,230V/460V,NEMA 1 & 4  
DIMENSIONAL DIAGRAM

AUTO CAD #	SHEET	DRAWING/PART NUMBER
GP10HPVTN1-4.DWG	1 OF 1	

CUSTOMER