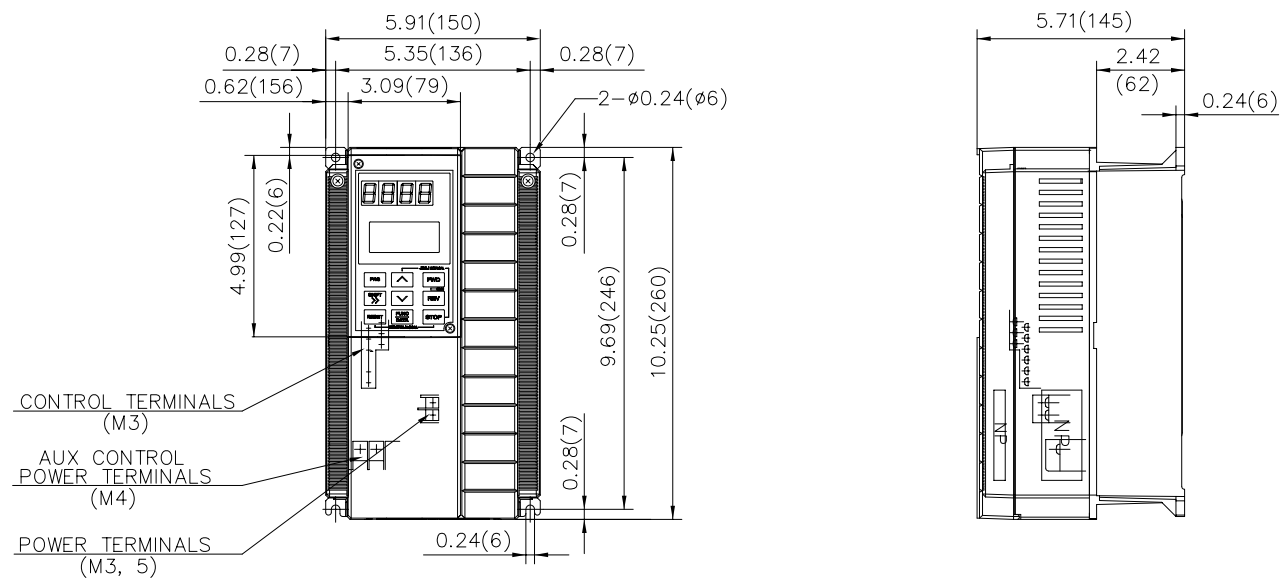
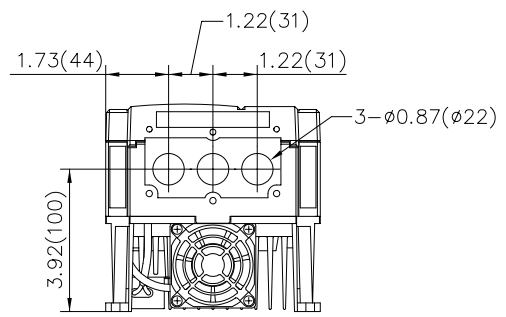


A  
B  
C  
D  
E  
F  
G  
H



NEMA 1 & 4



REVISIONS

SPECIAL DRAWING NOTES:

|       |    |          |
|-------|----|----------|
| ENG   |    |          |
| DRAWN | BF | 1 APR 01 |
| APP'D |    |          |

THE INFORMATION, DATA, AND DESIGNS CONTAINED ON THIS DRAWING ARE CONSIDERED PROPRIETARY INFORMATION OF SAFTRONICS, INC. DISCLOSURE, PUBLISHING, AND USE WITHOUT THE EXPRESS WRITTEN CONSENT OF SAFTRONICS, INC. IS PROHIBITED.

**SAFTRONICS**  
 SOLID STATE MOTOR CONTROLS

|   |        |                     |
|---|--------|---------------------|
| GP10, 2-5HP, VT, 230V/460V,<br>NEMA 1 & 4 DIMENSIONAL DIAGRAM |        |                     |
| AUTO CAD #  | SHEET  | DRAWING/PART NUMBER |
| GP102-5HPVTN1-4.DWG   | 1 OF 1 |                     |

CUSTOMER